

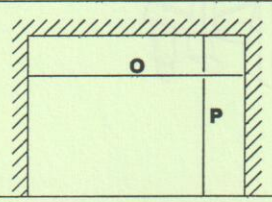
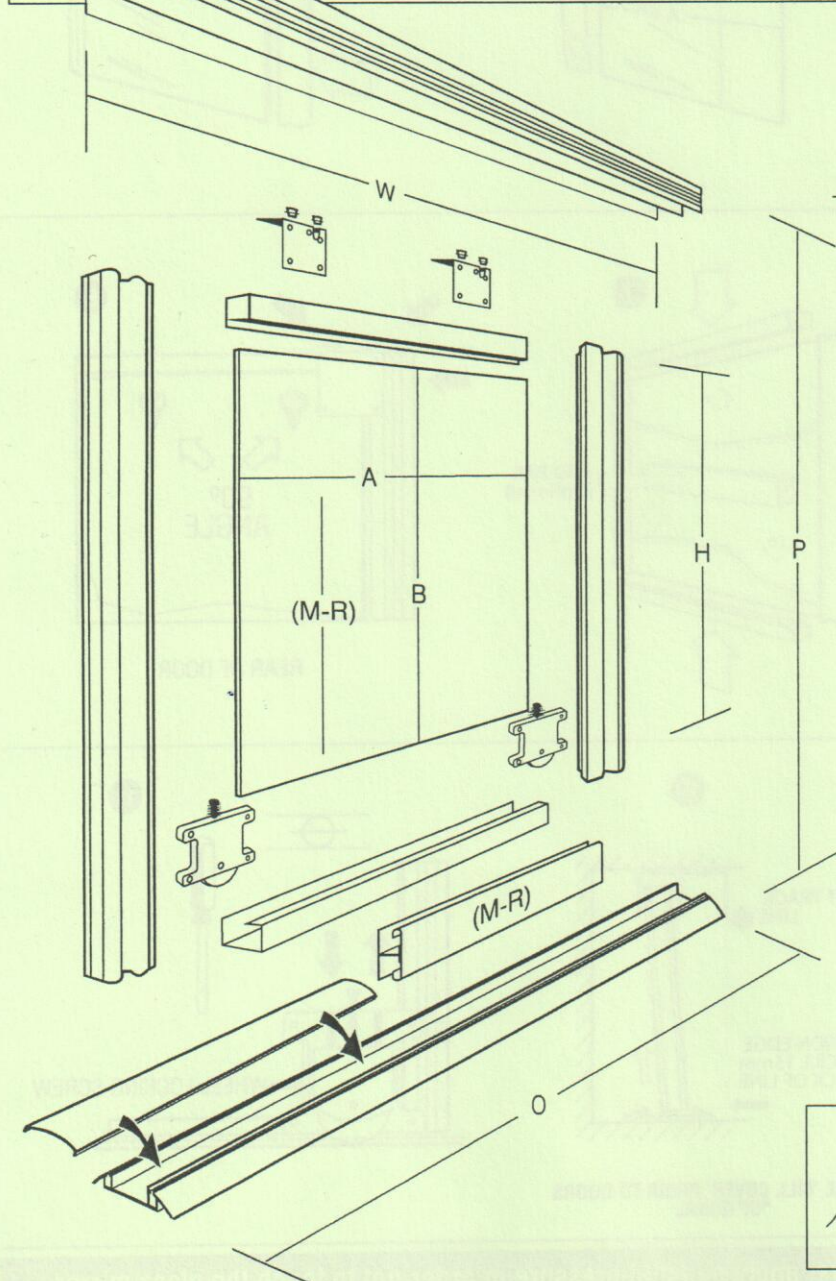
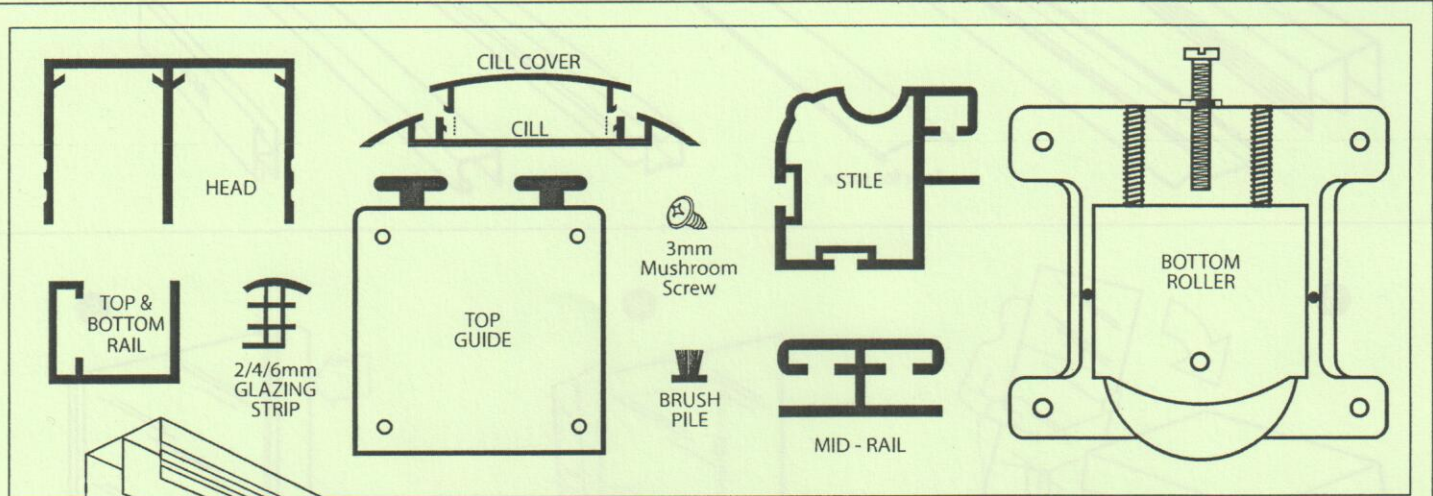
Mirror Door Systems Ltd

Unit 6, Capitol Industrial Centre, Fulmar Way, Wickford, Essex SS11 8YW, UK
 Telephone: +44 (0) 1268 573357 · Facsimile: +44 (0) 1268 573358
 www.mirrordoor.co.uk · Email: salesmds@mirrordoor.co.uk



TUSCANY

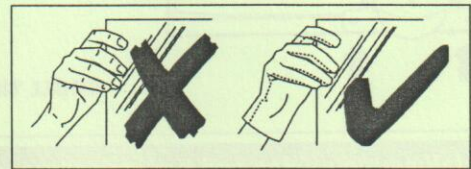
ALUMINIUM WARDROBE SYSTEM FIXING INSTRUCTIONS

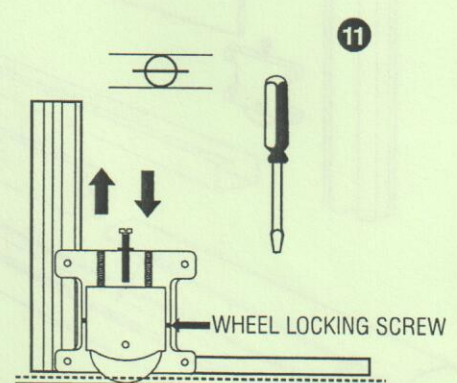
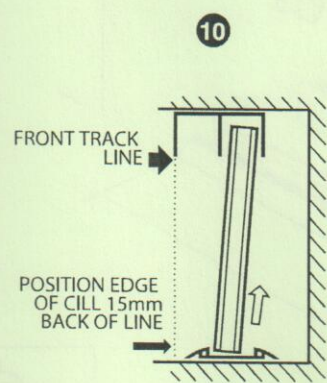
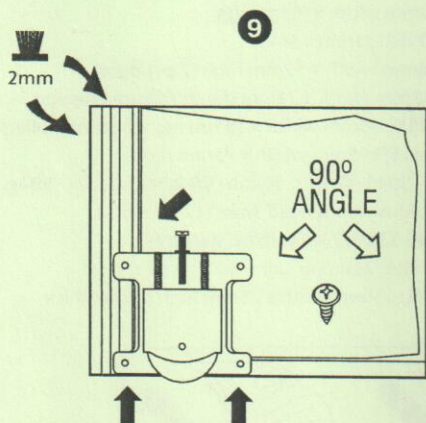
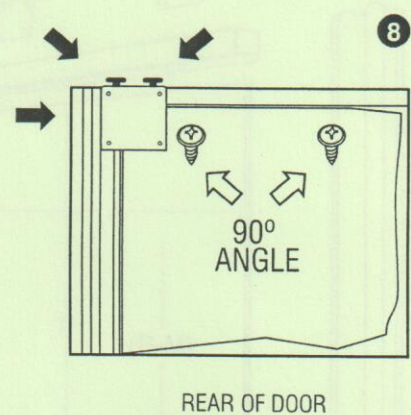
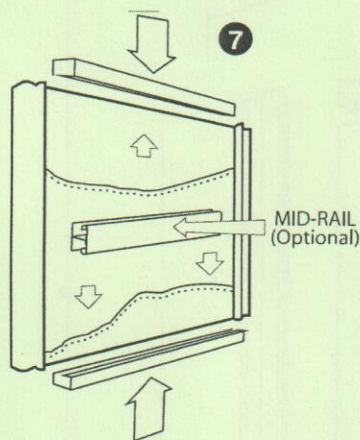
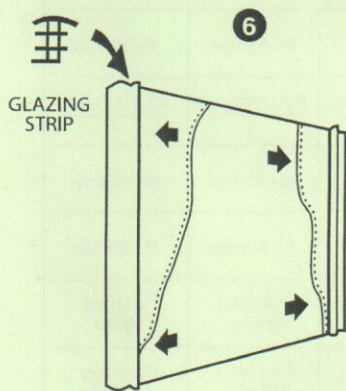
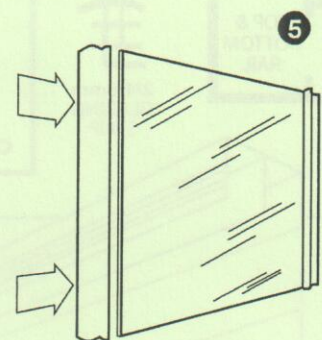
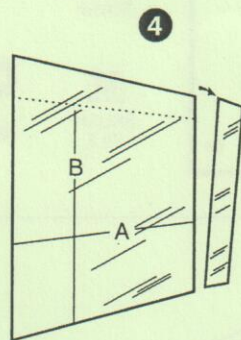
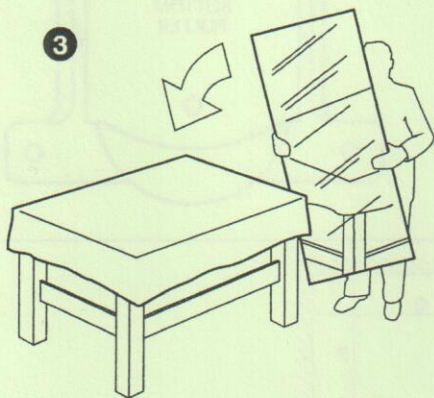
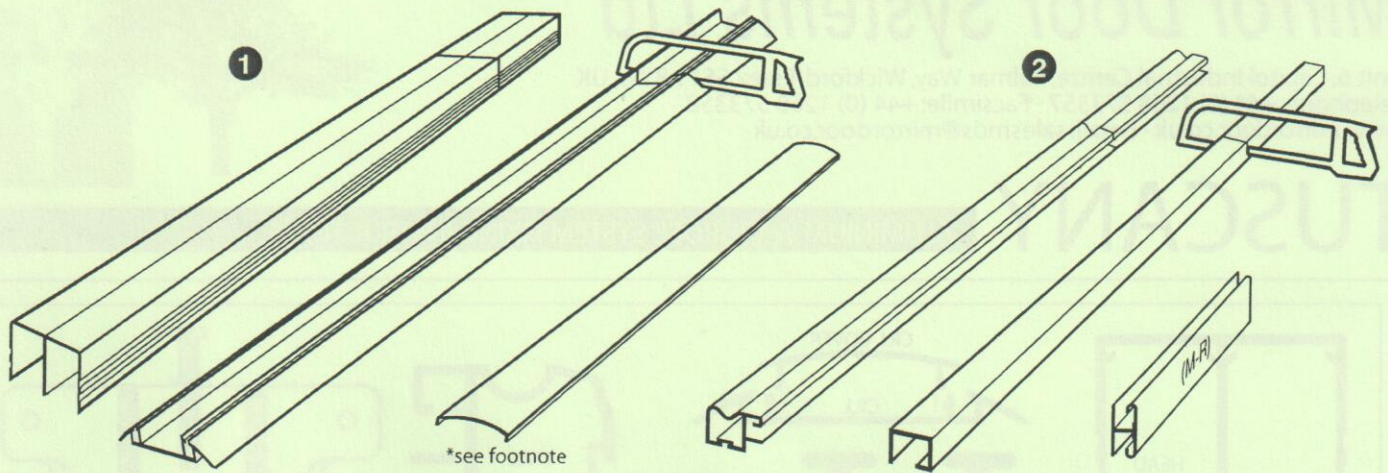


H	P - 35mm	P - 35mm	P - 35mm
W	$\frac{(O + 38mm)}{2}$	$\frac{(O + 76mm)}{3}$	$\frac{(O + 76mm)}{4}$
A	W - 52mm	W - 52mm	W - 52mm
B	P - 39mm	P - 39mm	P - 39mm
O	Opening Width	Opening Width	Opening Width
P	Opening Height	Opening Height	Opening Height

COMPONENTS - GENERAL DIMENSIONS & DETAIL

- HEAD:** 80mm width x 40mm high
- CILL:** 63mm width x 9mm high
- CILL COVER:** 31mm x 5mm
- RAIL:** 16mm width x 12mm high (2 per door)
- STILE:** 38mm width x 31mm depth / 10mm opening
- TOP GUIDE:** 45mm width x 38mm high (Bearing Rollers)
- Btm ROLLER:** 99mm width x 75mm high
- Casing - Steel · Wheel - Nylon · Weight Capacity - 50 kg**
- SCREW:** Mushroom head 3mm (12 per door)
- GLAZING STRIP:** 2/4/6mm (to suit size)
- BRUSH PILE:** 2mm (to suit size)
- MID-RAIL:** 15mm width x 25mm high x 2mm thick





INSTALL 'CILL COVER' PRIOR TO DOORS
*OPTIONAL

NB • When installing top guides and bottom rollers, apply nominal pressure in order not to touch the glass mirror.